

## Switch actuator, 1-gang

### 1 Safety instructions



Electrical devices may only be mounted and connected by electrically skilled persons.

Serious injuries, fire or property damage possible. Please read and follow manual fully.

The device may not be opened or operated outside the technical specifications.

Danger of electric shock. Device is not suitable for disconnection from supply voltage.

Danger of electric shock. Make sure during the installation that there is always sufficient insulation between the mains voltage and the bus. A minimum distance of at least 4 mm must be maintained between bus conductors and mains voltage cores.

Danger of electric shock on the KNX installation. Do not connect any external voltage to the inputs. The device might be damaged, and the SELV potential on the KNX bus line will no longer be available.

These instructions are an integral part of the product, and must remain with the end customer.

### 2 Device components

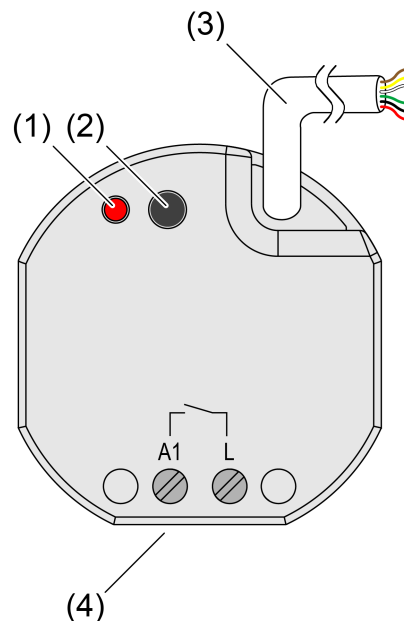


Figure 1: Device components

- (1) Programming LED
- (2) Programming button
- (3) Control cable (KNX connection and extension inputs)
- (4) Load connection (relay output)

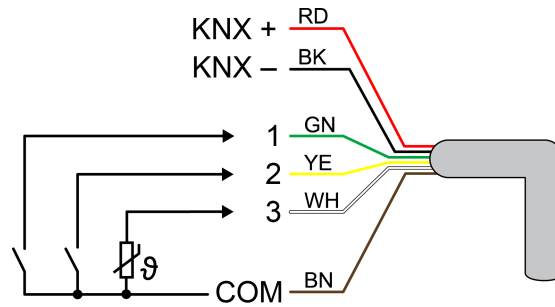


Figure 2: Connection assignment of control cable (example)

red (RD)	KNX +
black (BK)	KNX -
green (GN)	Input 1 (push-button, switch, contact, dew/leakage sensor)
yellow (YE)	Input 2 (push-button, switch, contact, dew/leakage sensor)
white (WH)	Input 3 (push-button, switch, contact, dew/leakage sensor, NTC temperature sensor)
brown (BN)	COM inputs 1...3

### 3 Function

#### System information

This device is a product of the KNX system and complies with the KNX directives. Detailed technical knowledge obtained in KNX training courses is a prerequisite to proper understanding.

The function of this device depends upon the software. Detailed information on loadable software and attainable functionality as well as the software itself can be obtained from the manufacturer's product database.

The device can be updated. Firmware can be easily updated with the Jung ETS Service App (additional software).

The device is KNX Data Secure capable. KNX Data Secure offers protection against manipulation in building automation and can be configured in the ETS project. Detailed specialist knowledge is required. A device certificate, which is attached to the device, is required for safe commissioning. During mounting, the certificate must be removed from the device and stored securely.

Planning, installation and commissioning of the device are carried out with the aid of the ETS, version 5.7.3 and above.

#### Intended use

- Operating in KNX systems
- Switching of electrical consumers via relay contact
- Reading in switching states of installation switches or push-buttons and other potential-free contacts at inputs 1...3
- Signal evaluation of dew and leakage sensors at inputs 1...3 (see accessory).
- Acquisition of temperature values via NTC temperature sensor at input 3 (see accessories)
- Mounting in appliance boxes according to DIN 49073

#### Product characteristics

- Output can be operated via KNX telegrams or extension inputs
- Three extension inputs for connecting potential-free contacts or dew/leakage sensors. NTC temperature sensor can be connected to input 3.
- Supply via KNX, no additional power supply necessary
- KNX Data Secure compatible

## Switch actuator, 1-gang

---

- Updateable with Jung ETS Service App

### Characteristics switch operation

- Operation as NO or NC contacts
- Feedback function
- Logic and restraint function
- Central switching functions
- Time functions: switch-on delay, switch-off delay, staircase lighting timer with run-on time
- Scene function
- Operating hours counter

### Characteristics extension inputs

- Switching operating function
- Dimming operating function (incl. colour temperature dimming)
- Shutter/Venetian blinds operating function
- Value transmitter operating function (1-byte, 2-byte, 3-byte and 6-byte incl. RGBW and colour temperature presets)
- Scene extension operating function
- 2-channel operation operating function
- Controller extension operating function
- Disabling functions
- Debounce time adjustable

### Logic function characteristics

- Logic gates
- Transformer (conversion)
- Disabling element
- Comparator
- Limit value switch

## 4 Information for electrically skilled persons

---



### **DANGER!**

Mortal danger of electric shock.  
Disconnect the device. Cover up live parts.

---

### 4.1 Fitting and electrical connection

---



### **DANGER!**

When connecting the bus/extensions and mains voltage wires in a shared appliance box, the KNX bus line may come into contact with the mains voltage.

This endangers the safety of the entire KNX installation. People at remote devices may also receive an electric shock.

Do not place bus/extensions and mains voltage terminals in a shared connection compartment. Use an appliance box with a fixed partition wall or separate appliance boxes.

---

### Connecting and fitting the device

In secure operation (preconditions):

- Secure commissioning is activated in the ETS.
-

Switch actuator, 1-gang

- Device certificate entered/scanned or added to the ETS project. A high resolution camera should be used to scan the QR code.
- Document all passwords and keep them safe.

Mounting in suitable appliance box (recommendation: electronic device box with partition). Observe cable routing and spacing (Figure 3)!

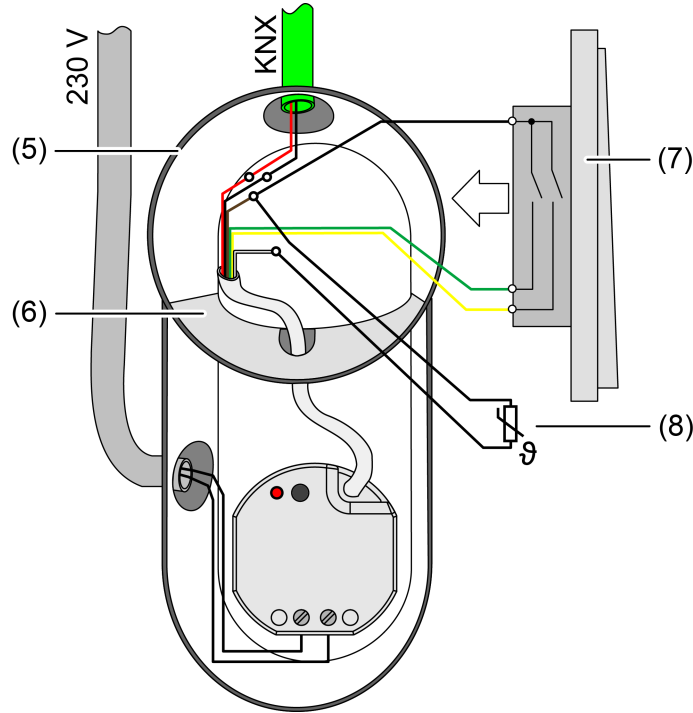


Figure 3: Mounting example in electronic device box with partition wall, series push-button and NTC temperature sensor

- (5) Appliance box
- (6) Partition
- (7) potential-free contacts (e.g. series push-button)
- (8) NTC temperature sensor (optional)

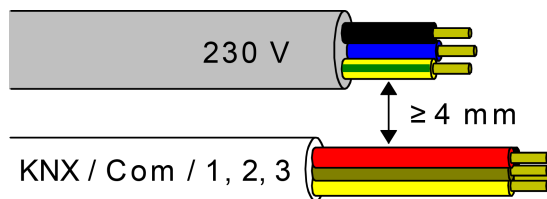


Figure 4: Cable spacing

Minimum spacing between the mains voltage and bus/extension wires: 4 mm (Figure 4)

## Switch actuator, 1-gang

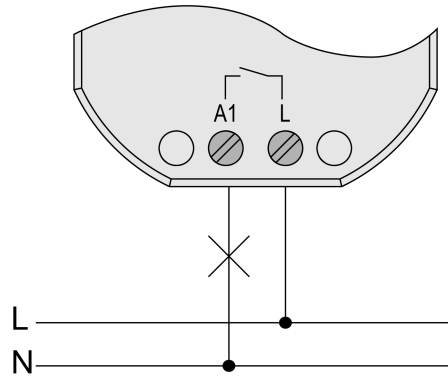


Figure 5: Connection of load

Observe ambient temperature. Ensure adequate cooling.

- Connect the device to KNX with the correct polarity.
- Connect load as shown in the connection example (Figure 5).
- If required, connect potential-free contacts or dew/leakage sensors to inputs 1...3, or NTC temperature sensors to input 3 (Figure 2).
- Install the device in the appliance box.
- In secure operation: The device certificate must be removed from the device and stored securely.

**i** The COM reference potential must not be connected together with COM connections of other devices!

## 4.2 Commissioning

### Commissioning the device



#### NOTICE!

Undefined relay state at delivery.

Unexpected control of connected loads.

During commissioning, before switching on the load, ensure that all relay contacts are open by applying the KNX bus voltage. Observe commissioning sequence!

- Switch on the KNX bus voltage.
- Wait about 10 s.
- Connect the load circuit.

**i** Delivery state: Operation of the output via switch at input 1 (ON / OFF) possible. Inputs 2 and 3 have no function.

#### Function of Inputs in the as-delivered state

Input	Switch	Function
1	closed	ON
1	open	OFF
2	---	---
3	---	---

#### Load physical address and application program

- Press the programming button.  
The programming LED lights up.

## Switch actuator, 1-gang

---

- Load physical address and application program using the ETS.

### Safe-state mode

The safe state mode stops the execution of the loaded application program.

- i** Only the system software of the device is still functional. ETS diagnosis functions and programming of the device are possible.

### Activating the safe-state mode

- Switch off the bus voltage or disconnect the device from the KNX.
- Wait about 10 s.
- Press and hold down the programming button.
- Switch on the bus voltage or connect the device to KNX. Release the programming button only after the programming LED starts flashing slowly.

The safe-state mode is activated.

With a new brief press of the programming button, the programming mode can be switched on and off as usual also in the safe-state mode. If Programming mode is active, the programming LED stops flashing.

### Deactivating safe-state mode

- Switch off bus voltage (wait approx. 10 s) or carry out ETS programming.

### Master reset

The master reset restores the basic device setting (physical address 15.15.255, firmware remains in place). The device must then be recommissioned with the ETS.

During secure operation: A master reset deactivates device security. The device can then be recommissioned with the device certificate.

### Performing a master reset

Precondition: The safe-state mode is activated.

- Press and hold down the programming button for > 5 s.  
The programming LED flashes quickly.

The device performs a master reset, restarts and is ready for operation again after approx. 5 s.

## 5 Technical data

### Ambient conditions

Ambient temperature	-5 ... +45 °C
Storage/transport temperature	-25 ... +70 °C
Dimensions (W × H × D)	48 x 50 x 28 mm

### KNX

KNX medium	TP256
Commissioning mode	S-mode
Rated voltage KNX	DC 21 ... 32 V SELV
Current consumption KNX	5 ... 18 mA
Connection mode KNX	Connection terminal on control cable

### Outputs

## Switch actuator, 1-gang

---

Connection mode	Screw terminals
Switching voltage	AC 250 V ~
Switching current	16 AX
Switch-on current 200 $\mu$ s	max. 800 A
Switch-on current 20 ms	max. 165 A
<b>Connected load</b>	
Ohmic load	2500 W
Capacitive load	max. 16 A (140 $\mu$ F)
Motors	1380 VA
Incandescent lamps	2300 W
HV halogen lamps	2300 W
HV-LED lamps	max. 400 W
LV halogen lamps with electronic transformers	1500 W
LV halogen lamps with inductive transformer	1200 VA
Compact fluorescent lamps uncompensated	1000 W
Compact fluorescent lamps parallel compensated	1160 W (140 $\mu$ F)
<b>Reduction of connected load</b>	
per 5 °C in excess of 35 °C	-10%
when installed in wooden or dry construction walls	-15%
when installed in multiple combinations	-20%
<b>Clampable conductor cross-section</b>	
single stranded	0.5 ... 4 mm <sup>2</sup>
Finely stranded without conductor sleeve	0.5 ... 4 mm <sup>2</sup>
Finely stranded with conductor sleeve	0.5 ... 2.5 mm <sup>2</sup>
Connection torque screw terminals	Max. 0.8 Nm
<b>Inputs</b>	
Control cable (preterminated)	YY6x0.6
Input type	Potential-free
Number	3
Total length of extension device cable	max. 10 m
Cable type (preferably)	J-Y(St)Y
Poll voltage, extension inputs	approx. 5 V

## 6 Accessories

External sensor	FF7.8
Condensation sensor	BTS01
Leakage sensor	LES01

## 7 Warranty

The warranty is provided in accordance with statutory requirements via the specialist trade.



Switch actuator, 1-gang

---

BLUMOTIX SRL - Via Bedazzo n. 2 - 48022 - Lugo (RA) Phone: +39 0545 1895254 - Fax: +39 0545 1895196 - [www.blumotix.it](http://www.blumotix.it) - [assistenza@blumotix.it](mailto:assistenza@blumotix.it)